



POSEIDON

# ***ORION***

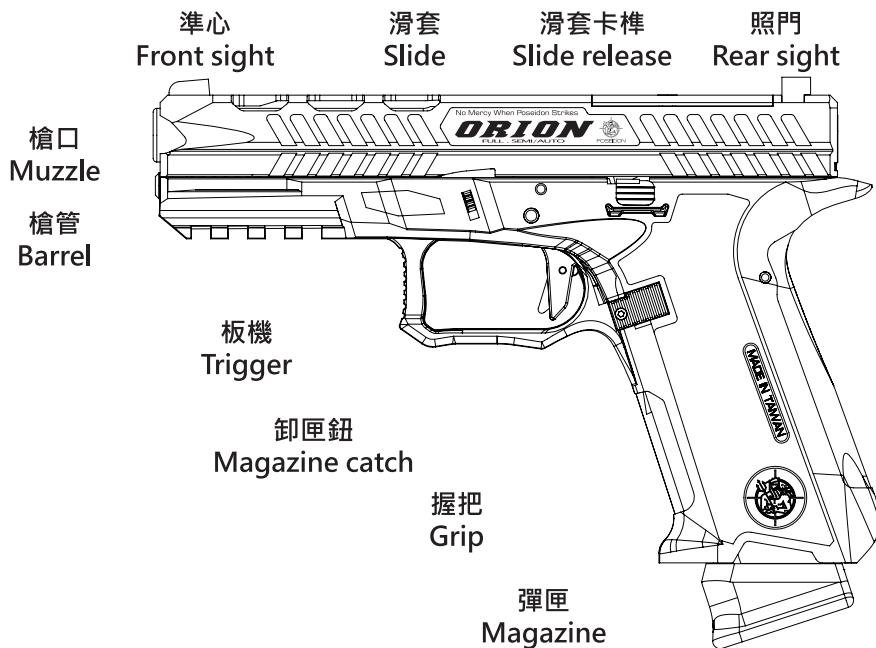
FULL . SEMI/AUTO

**INSTRUCTION MANUAL**

[www.poseidontw.com](http://www.poseidontw.com)

FOR AGE 18 YEARS OR OLDER  
MADE IN TAIWAN

# 1.各部名稱 NAME OF PARTS



# 2.瓦斯注入方式 GAS INJECTION

瓦斯注入

填充氣體務必垂直

Gas injection

To refill the gas with the gas container in vertical position.

1. 向前推出彈匣底板

Press the magazine floor plate forward.

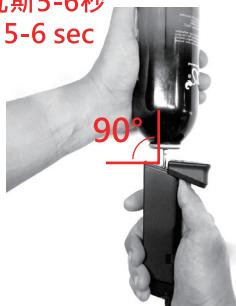
2. 垂直注入瓦斯

Injecting the gas vertical.

3. 推回彈匣底板

Press the magazine floor plate back.

注入瓦斯5-6秒  
Press 5-6 sec



### 3. 彈匣裝填 MAGAZINE LOADING

BB彈裝填

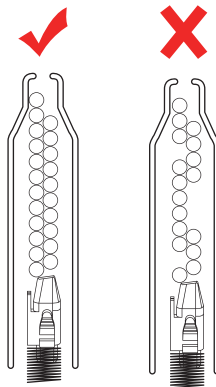
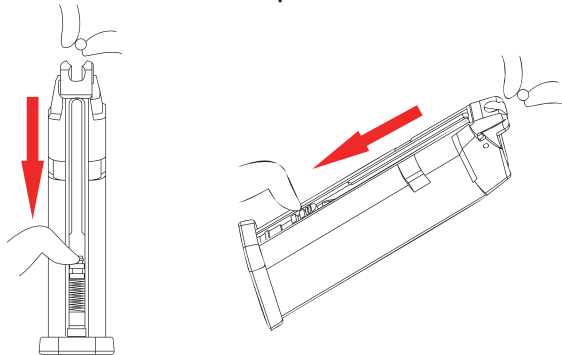
裝填BB彈6mm (24+1發入)

Loading BB bullet

Load BB bullet in the magazine, 6mm (24+1 rounds only).

請依照圖示之排列方式裝填BB彈

Please follow the illustrative sequences to load the BB bullets.



請勿使用超過6mm, 表面不平整或使用過之BB彈

Please do not use the BB bullets that are over 6mm, rough on surface or have been used.

### 4. 上彈匣 LOADING & RELEASING THE MAGAZINE

彈匣入退要點

入彈匣時推到底·如聽 " 搭 " 一聲即到定位點, 壓下卸匣鈕, 彈匣即會脫離

注意: 務必用手托住彈匣, 以免造成掉落破損

Load and release the magazine

While loading the magazine, push it inward to the bottom till a " tick " sound is heard. Press the magazine release catch, the magazine will fall off from the stock. Attention: use hand to receive the magazine to prevent it from falling down to the ground.



上彈匣時推到底, 如聽 " 搭 " 一聲, 即到定位  
Loading the magazine, push it inward to the bottom till a " tick " sound is heard.



Use hand to receive the magazine during releasing it to prevent it from falling down to the ground.

## 5. 單連發系統切換 SEMI / FULL AUTO SYS SWITCH

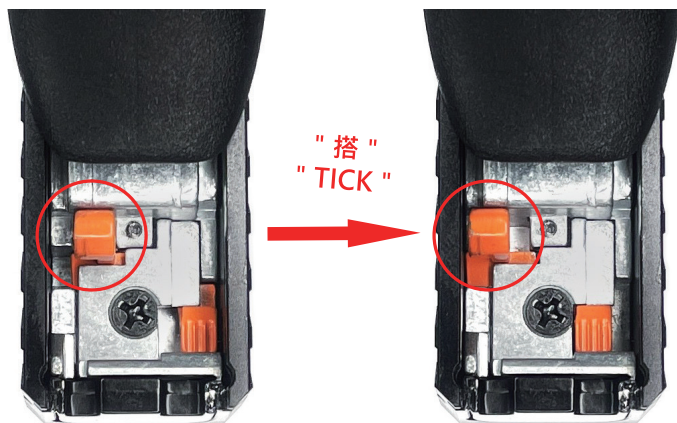
將滑套向後拉，將單連發選擇鈕往右移，即可切換至連發系統。

Pull the slide back and move the single firing selector to right, change to full auto mode.

單發切換至連發  
Semi Auto switch to Full Auto

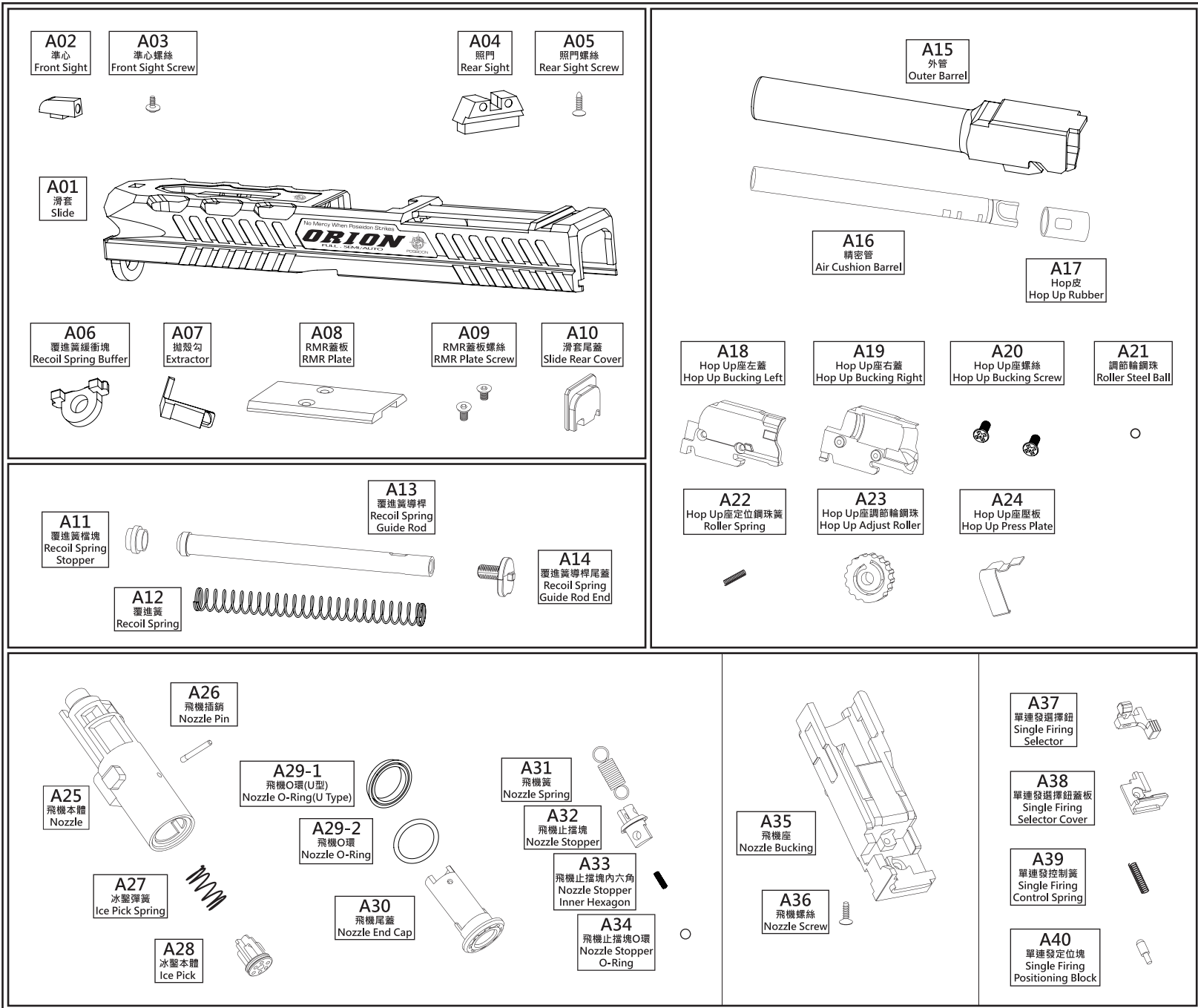


連發切換至單發  
Full Auto switch to Semi Auto

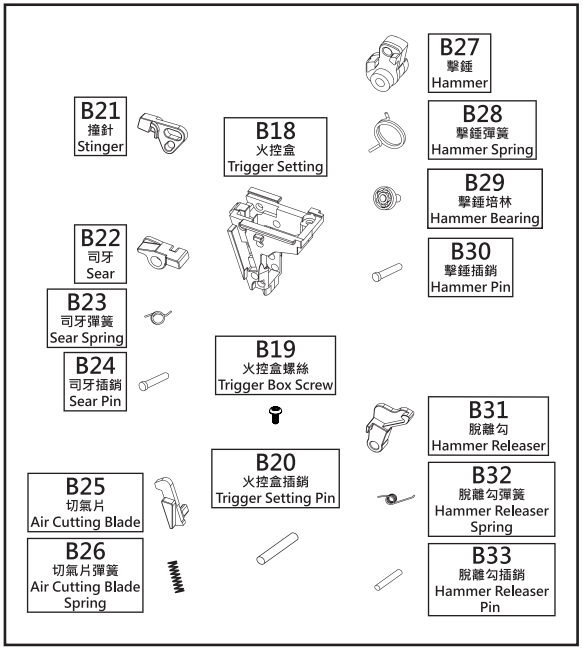
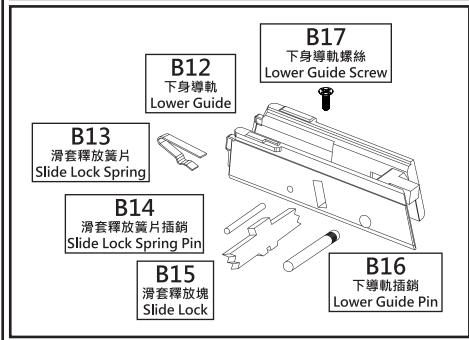
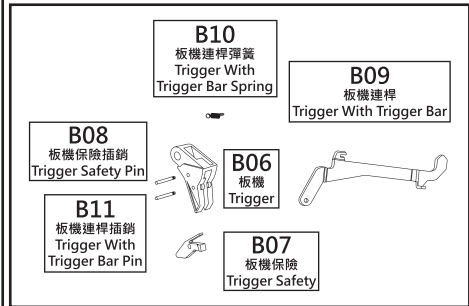
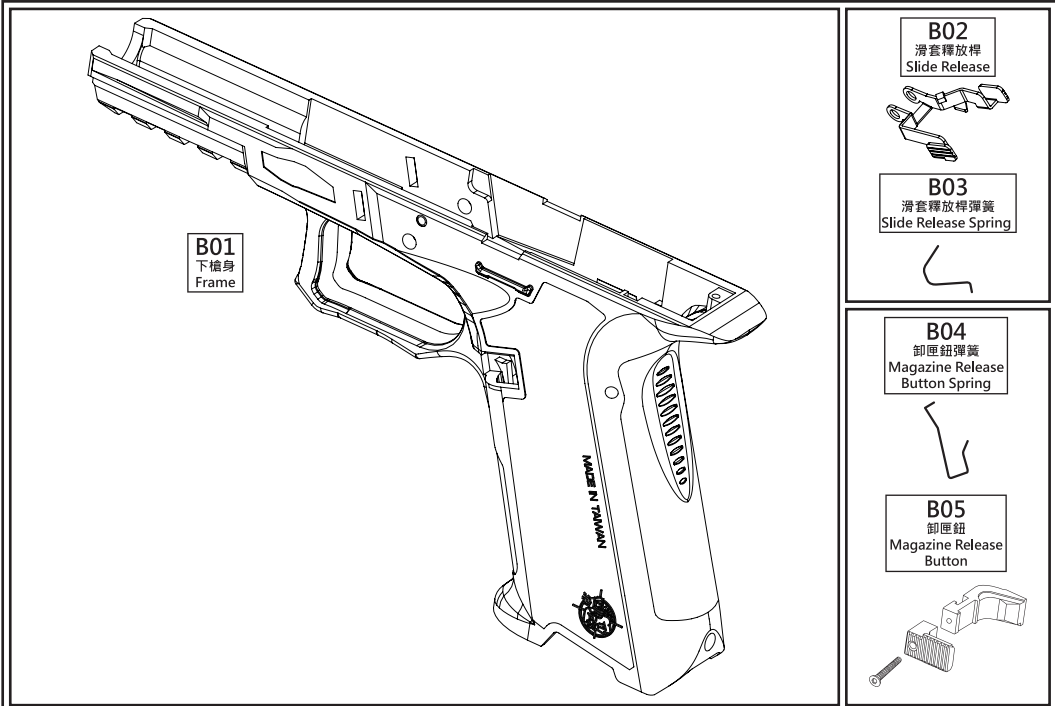


# 6. 爆炸圖 EXPLOSION

## A 上滑套總成 Upper

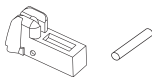


# B 下槍身總成 Receiver



# C 彈匣 Magazine

**C02**  
彈匣含彈嘴  
Magazine Upper Cover

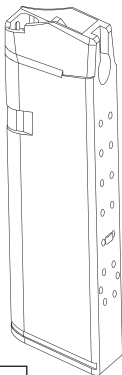


**C03**  
彈匣含彈嘴插銷  
Magazine Upper Cover Pin

**C04**  
出氣橡皮  
Magazine Vent Rubber



**C01**  
彈匣本體  
Magazine



**C05**  
出氣閥  
Output Valve

**C06**  
O環 (長螺絲)  
O-Ring (Long Screw)



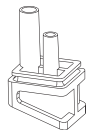
**C07**  
彈匣底蓋螺絲  
Magazine Insert Screw



**C09**  
O環 (彈匣氣密底蓋)  
O-Ring (Magazine Insert)



**C10**  
彈匣氣密底蓋  
Magazine Insert



**C08**  
進氣閥  
Injection Valve



**C11**  
頂彈桿(頭)  
Magazine Top Bullet



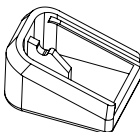
**C12**  
彈匣彈簧  
Magazine Spring



**C13**  
尾蓋卡榫  
End Cap Latch



**C14**  
彈匣底板  
Magazine Floor Plate



# 警告 WARNING

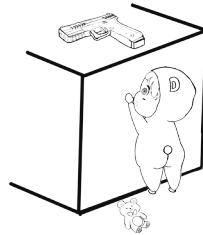
射擊時請戴護目鏡

Be sure to wear shooting glasses or Goggle when shooting.



不用時要把槍置於小孩拿不到的高處

Put the gun beyond the reach of kids.



不可用眼睛探視槍

Don't peep at the muzzle.



不可朝人、動物射擊

Don't aim at people, animal even if it is unloaded



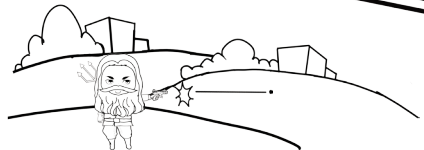
射擊的瞬間才可以把手指接近板機擊扣

Don't touch the trigger until the moment of shooting.



確定射擊的方向均安全後才可以射擊

After making sure that there is nobody nearby and can shooting.



避免粗魯的動作，以免發生危險

Avoid a rough operation, in case get hurt.



不使用時，應將彈匣

取出，並取下子彈

When the gun is not in use, remove the magazine and unload BB Bullets.

